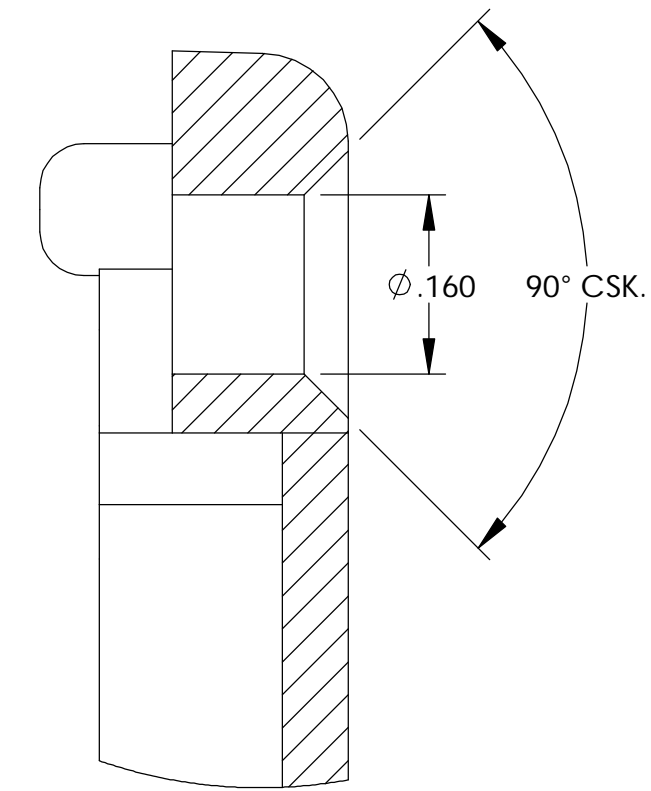
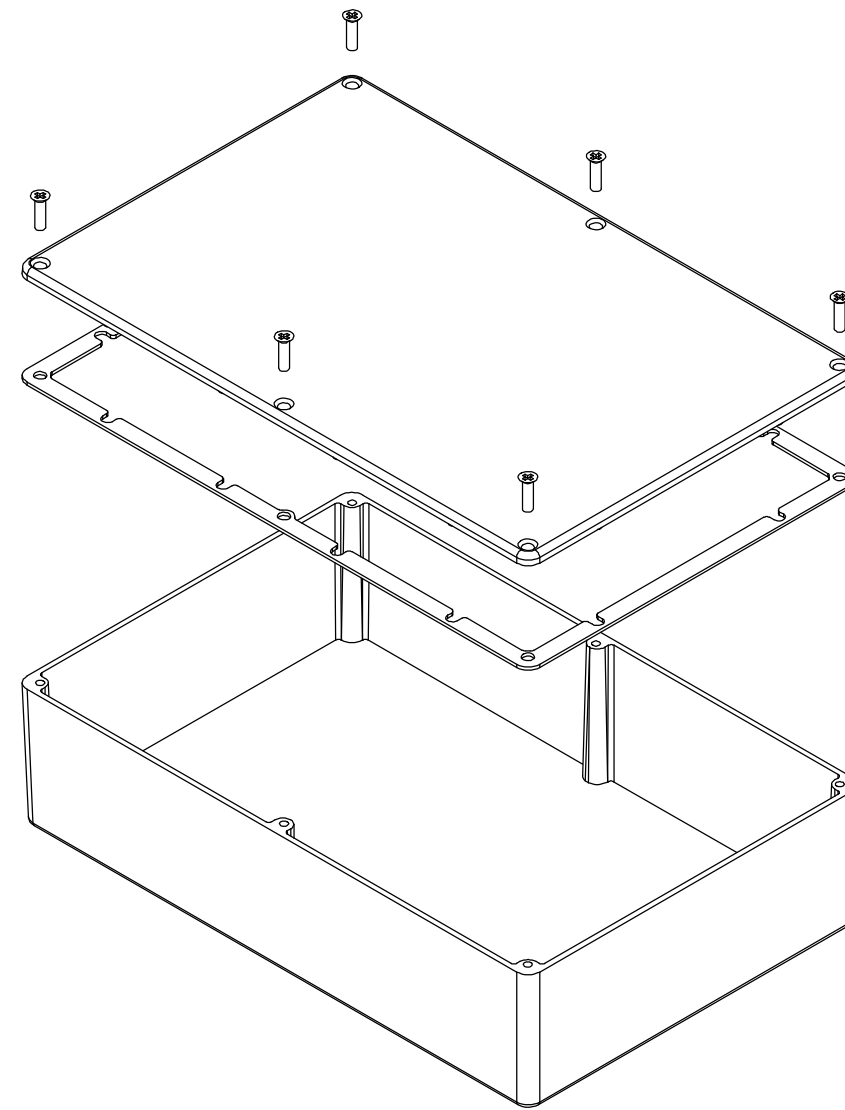


THE INFORMATION CONTAINED IN THIS DRAWING IS THE SOLE PROPERTY OF BUD INDUSTRIES INC. ANY REPRODUCTION IN PART OR WHOLE WITHOUT THE WRITTEN PERMISSION OF BUD INDUSTRIES INC. IS PROHIBITED.

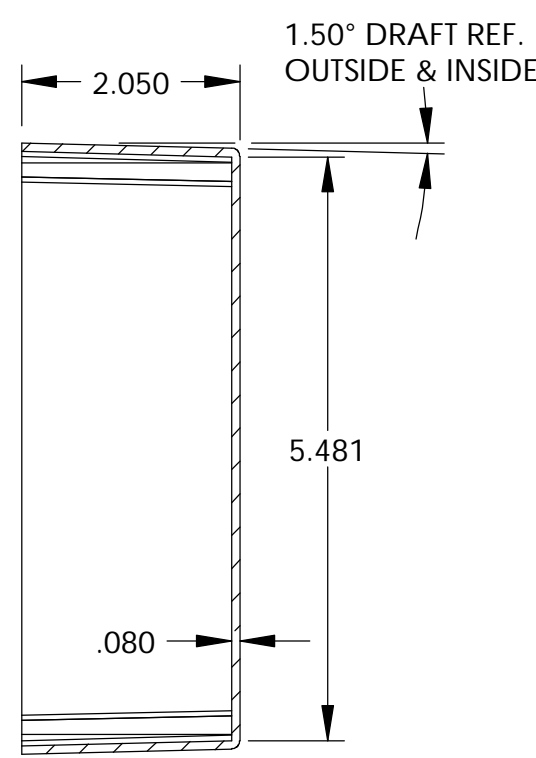
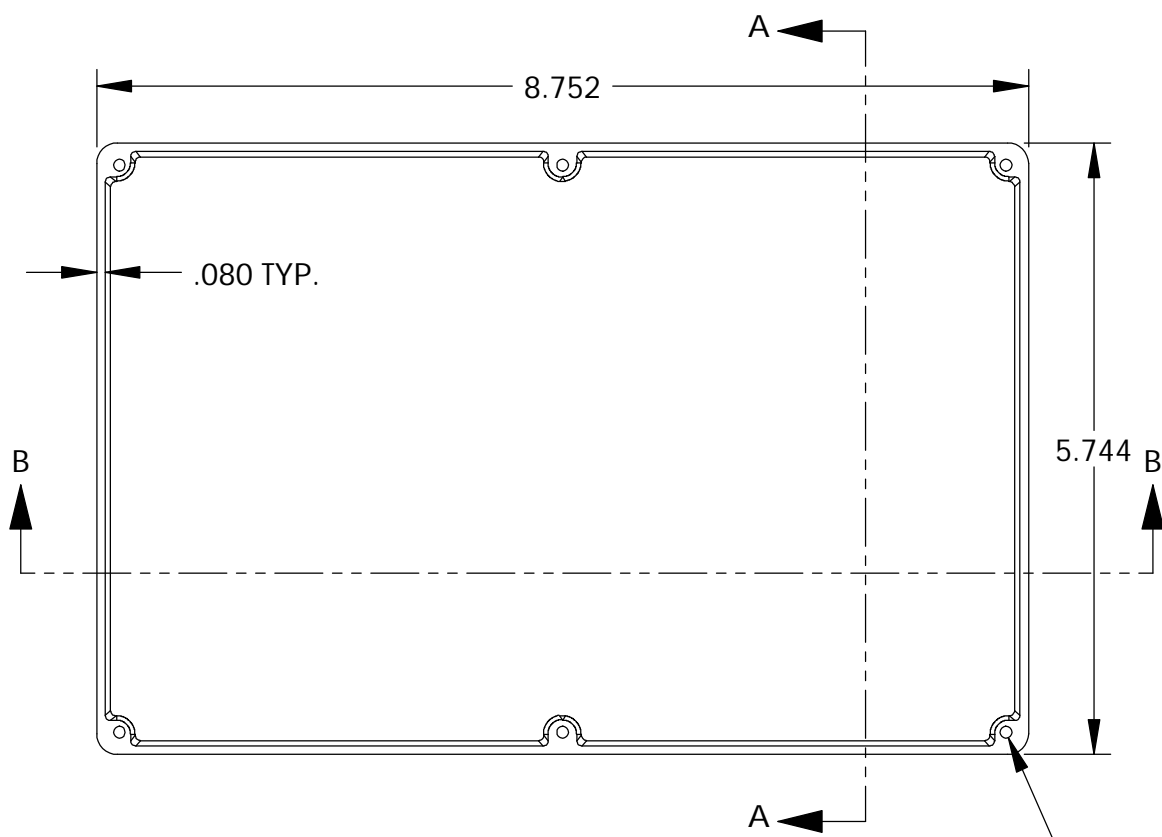
DWG. NO.	CN-5711
ISSUE	REVISIONS

MATERIAL - ALUMINUM ALLOY #ADC-12
 FINISH - NATURAL (CONTACT BUD FACTORY FOR ALTERNATE FINISHES)
 GASKET - RATED IP65 NEOPRENE, SELF-ADHESIVE, 3mm THICK, COLOR BLACK
 SCREWS - STAINLESS STEEL, M3.5 x 12mm LG., CSK. HEAD, SELF-THREADING

ALL HOLE DIAMETERS HAVE $\pm .005$ TOLERANCE.
 ALL OTHER DIMENSIONS HAVE $\pm .015$ TOLERANCE.
 ENCLOSURES ARE SHIPPED UNASSEMBLED WITH ALL ITEMS SHOWN.



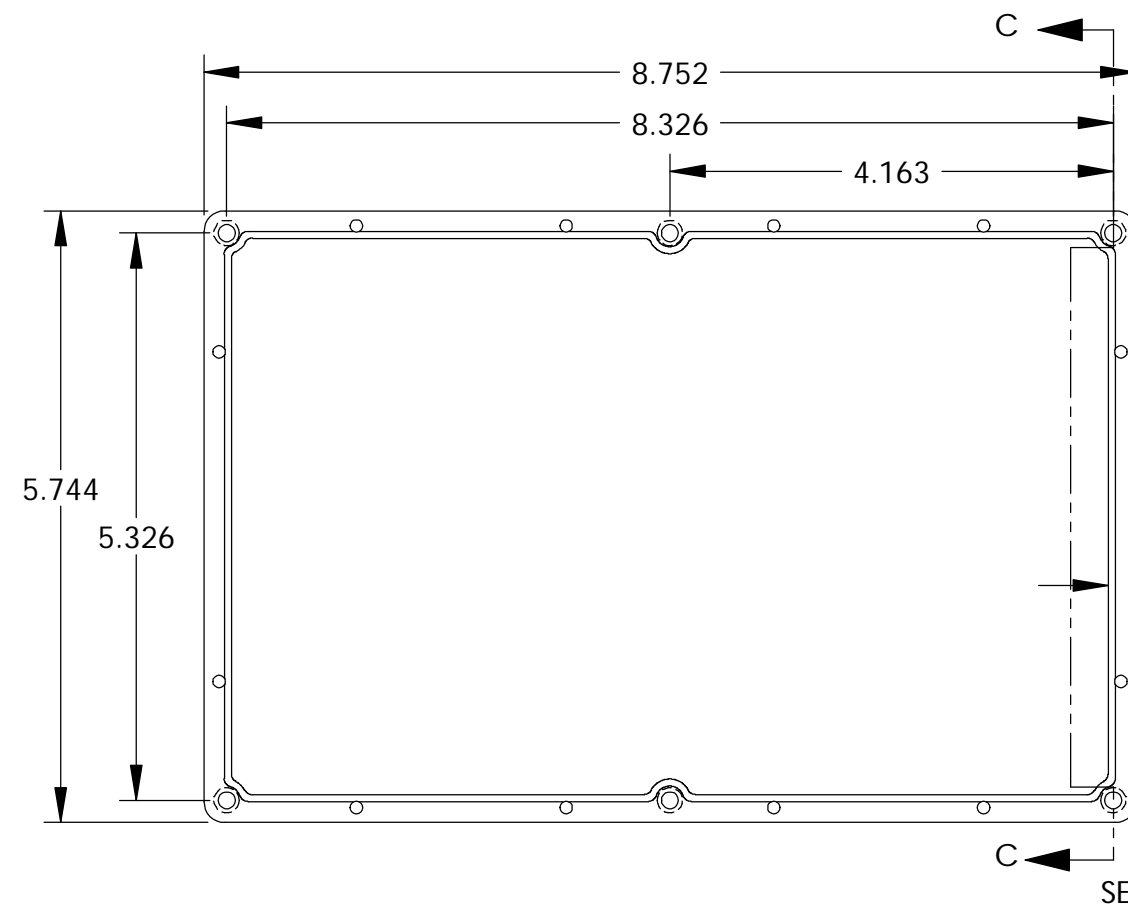
DETAIL D
SCALE 6 : 1



SECTION A-A

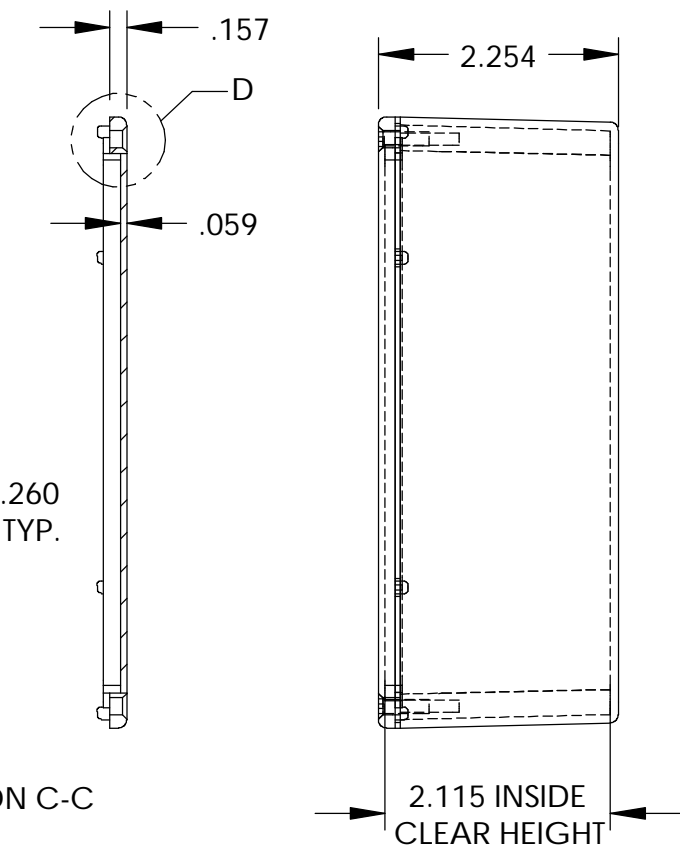
TAPPED M3.5 (6x)

BODY

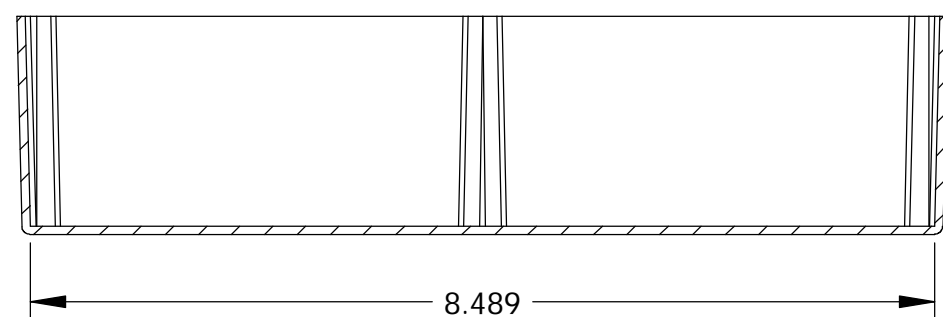


SECTION C-C

COVER



2.115 INSIDE CLEAR HEIGHT



SECTION B-B

PARTS LIST	
+/- .005 BETWEEN HOLE CENTERS +/- .015 FROM SHEARED EDGE +/- .032 FROM A BENT SURFACE +/- .062 BETWEEN ASSEMBLED SURFACES UNLESS OTHERWISE SPECIFIED	CAD GENERATED DRAWING. DO NOT MANUALLY UPDATE
APPROVALS DRAWN: DAB CHECKED:	DATE: 3-31-06
MATERIAL: AS NOTED FINISH: AS NOTED	APPROVED:
QTY. USED ON	DO NOT SCALE DRAWING
DWG. NO. CN-5711 SCALE:	REV. SHEET 1 OF 1

BUD INDUSTRIES INC.

DIE CAST ALUMINUM ENCLOSURE

DWG. NO. CN-5711
 SCALE: SHEET 1 OF 1